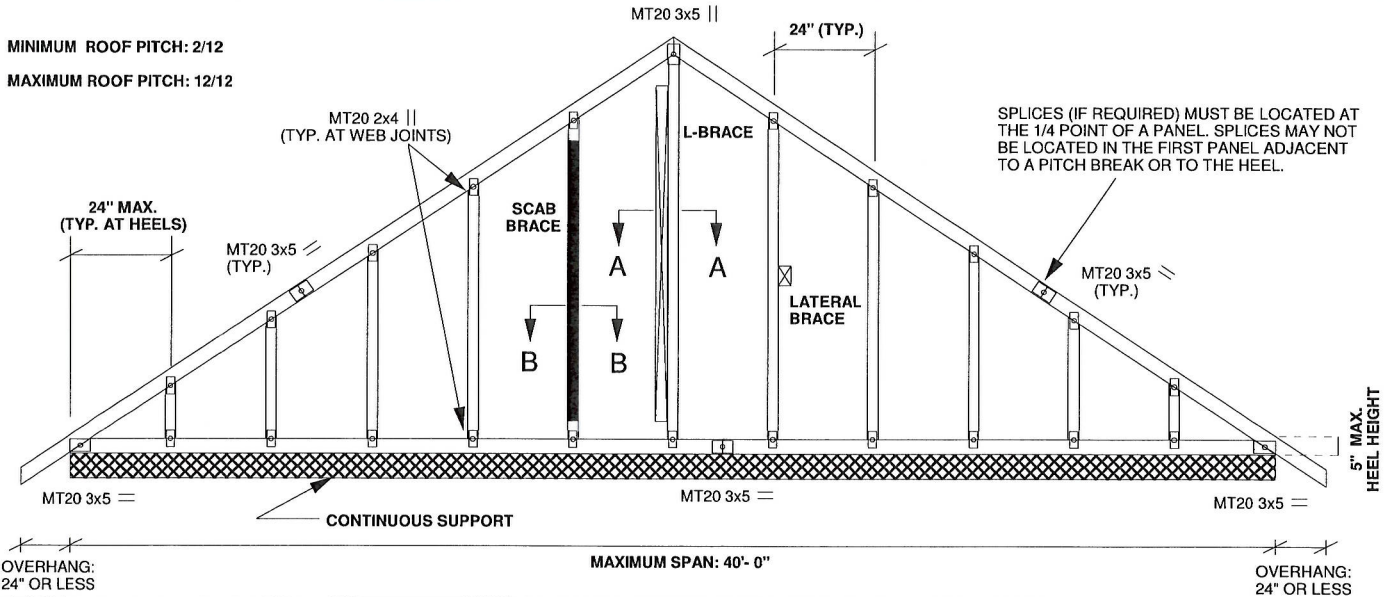


STANDARD GABLE END DETAIL

DRAWING NO.: B37019K

MINIMUM ROOF PITCH: 2/12
 MAXIMUM ROOF PITCH: 12/12



SPLICES (IF REQUIRED) MUST BE LOCATED AT THE 1/4 POINT OF A PANEL. SPLICES MAY NOT BE LOCATED IN THE FIRST PANEL ADJACENT TO A PITCH BREAK OR TO THE HEEL.

LUMBER

TOP CHORD: 2 X 4 No. 2 DRY SPF or D- Fir
 BOTTOM CHORD: 2 X 3 or 2 X 4 No. 2 DRY SPF or D- Fir
 GABLE WEB: 2 X 3 or 2 X 4 No. 2 DRY SPF or D- Fir

PLATES

| JOINT | PLATES |
|------------|----------------|
| HEELS | MT20 3.0 X 5.0 |
| PEAK | MT20 3.0 X 5.0 |
| TC SPLICES | MT20 3.0 X 5.0 |
| BC SPLICES | MT20 3.0 X 5.0 |
| WEB JOINTS | MT20 2.0 X 4.0 |

DESIGN CRITERIA

TOP CHORD LL = 60.0 PSF OR LESS
 TOP CHORD DL = 6.0 PSF OR LESS
 BOTTOM CHORD LL = 0 PSF
 BOTTOM CHORD DL = 7.0 PSF

TOTAL LOAD = 73.0 PSF OR LESS

BRACING

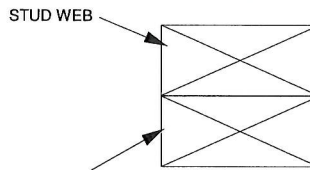
TOP CHORD TO BE SHEATHED OR MAX. PURLIN SPACING = 2 FT.

MAX. UNBRACED BOTTOM CHORD LENGTH = 10 FT. OR RIGID CEILING DIRECTLY APPLIED.

WEBS MUST BE LATERALLY BRACED, SCAB BRACED OR L-BRACED AS INDICATED IN TABLE BELOW:

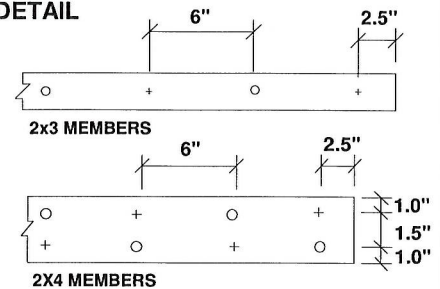
| WEB LENGTH (L) | SCAB BRACE | L-BRACE | LATERAL BRACE |
|---------------------|--------------|--------------|--------------------------------|
| L < 6 FT. | NOT REQUIRED | NOT REQUIRED | NOT REQUIRED |
| 6 FT. < L < 11 FT. | REQUIRED | 2x4 L-BRACE | 1 LATERAL AT 1/2 LENGTH OF WEB |
| 11 FT. < L < 12 FT. | REQUIRED | ----- | 1 LATERAL AT 1/2 LENGTH OF WEB |

SCAB BRACE DETAIL



No. 2 DRY SPF OR D. Fir
 SCAB BRACE, SAME SIZE AS WEB

SECTION B-B



FASTEN SCAB BRACE TO ONE FACE OF WEB WITH 9-3/4 GAUGE 0.122" X 3.0" COMMON SPIRAL NAILS SPACED @ 6.0" C/C WITH 2.5" MINIMUM END DISTANCE. SCAB BRACE MUST COVER 90% OF WEB LENGTH. DRIVE NAILS ALTERNATELY FROM FRONT AND BACK FACES.

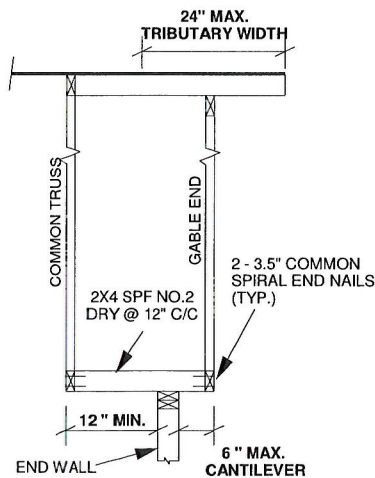
+ NAIL FROM FRONT FACE
 o NAIL FROM BACK FACE

CANTILEVER DETAIL

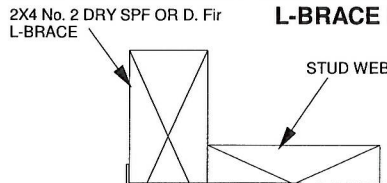
Note: Gable end may be cantilevered up to 6 inches past end wall as shown. Gable end to be continuously supported by 2x4 SPF No.2 members at 12" C/C along the bottom chord. Roof design loads shall not exceed the loading shown below:

TOP CHORD LL = 40.0 PSF OR LESS
 TOP CHORD DL = 6.0 PSF OR LESS
 BOTTOM CHORD LL = 0 PSF
 BOTTOM CHORD DL = 7.0 PSF

TOTAL LOAD = 53.0 PSF OR LESS

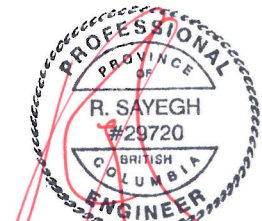


L-BRACE DETAIL



SECTION A-A

FASTEN L-BRACE TO NARROW EDGE OF WEB WITH ONE ROW OF 9-3/4 GAUGE 0.122" X 3.0" COMMON SPIRAL NAILS SPACED AT 6" C/C WITH 3.0" MINIMUM END DISTANCE. BRACE MUST COVER 90% OF WEB LENGTH.



SEP 16 2011

NOTES:

- Gable studs are spaced at 24" C/C (max.). Stud length not to exceed 12 ft.
- All plates specified are MiTek MT20, centered at each joint, and pressed into both faces of truss.
- Truss spacing is 24" C/C, maximum.
- This gable truss is designed for continuous support, bearing material is to be of the same species as chord member and of grade No. 2 or better.
- This truss requires rigid sheathing on exposed face.
- This truss is designed for residential or small building requirements, conforming to Part 9, NBCC 2010.
- This detail is not valid after April 30, 2013.